

# 385-376 SUMMIT® PRO

# MANSFIELD®

Elongated Front, SmartHeight™, Vitreous China, 10" Rough-In, Two-Piece Toilet

## FEATURES

- High performance MagnaFlush™ flushing technology
- 1.6 gpf / 6.0 lpf low water consumption
- Elongated front, SmartHeight™ bowl (ADA compliant)
- SmartFasten™ 3-bolt tank-to-bowl connection
- PuraClean® easy-to-clean glaze
- 3" Rigid Flapper flush valve – requires less force to flush, is more consistent and uses a simple universal repair part/seal
- Fluidmaster® pilot operated anti-siphon fill valve
- 10" rough-in
- Model 59 color match, metal trip lever
- 2" glazed trapway
- The Mansfield® limited lifetime warranty on china, Five-year limited warranty on tank trim
- Available in White



**MODEL 385-376**

Toilet seat not included





ELONGATED



SMARTHEIGHT ADA

## COMPONENTS

MODEL #	DESCRIPTION	CODES/STANDARDS
<b>385-376</b>	Elongated front, SmartHeight™, two-piece toilet. Less toilet seat and supply.	 
<b>385</b>	Elongated front, SmartHeight™ toilet bowl only. Less supply.	
<b>376</b>	Tank and cover only, with left hand, front-mount, color match, metal trip lever. Less supply.	
TANK TRIM & REPLACEMENT PARTS		
<b>59</b>	Trip lever - color match, metal trip lever, left hand	
<b>2037-1212</b>	Summit® 1.6 rigid flapper flush valve	
<b>400A</b>	Fluidmaster® anti-siphon pilot fill valve	
<b>2206</b>	Anti-siphon pilot fill valve (compatible replacement)	
<b>630-0030</b>	Replacement flush valve seal	
<b>386-LID</b>	Tank lid	





# 385-376 SUMMIT<sup>®</sup> PRO



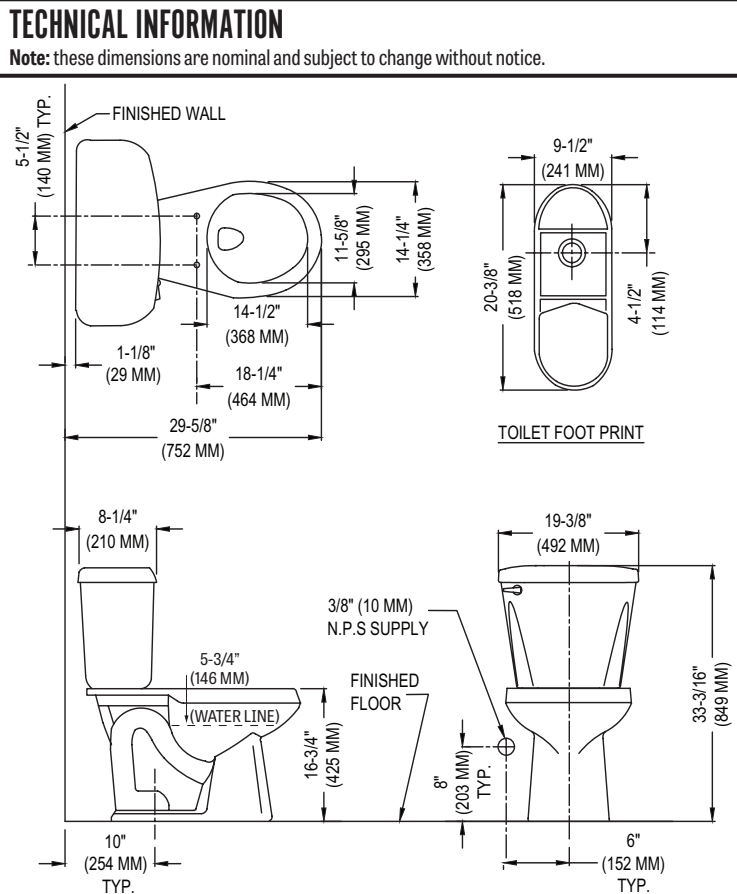
Elongated Front, SmartHeight™, Vitreous China, 10" Rough-In, Two-Piece Toilet

## SPECIFICATIONS

MODEL #	DESCRIPTION	CODES/STANDARDS
385-376	Elongated front, SmartHeight™ (1.6 gpf/6.0 lpf) two-piece toilet	 

<b>MATERIAL</b>	Vitreous China	<b>TRAP DIAMETER</b>	2"
<b>WATER PRESSURE RANGE</b>	20 to 80 PSI	<b>TRAP SEAL</b>	2-3/8"
<b>FLUSH SYSTEM</b>	MagnaFlush™ flushing technology	<b>SHIPPING WEIGHT</b>	Model 385 - 54 lbs. (24.4 kg) Model 376 - 36 lbs. (16.3 kg)
<b>WATER USAGE</b>	1.6 gpf / 6.0 lpf	<b>WARRANTY</b>	Vitreous China - Limited Lifetime Tank Trim - Limited Five Year
<b>WATER SURFACE AREA</b>	9' X 10'		
<b>ROUGH-IN</b>	10"		
<b>MAP RATING</b>	1,000 grams		

TANK OPTIONS	TECHNICAL INFORMATION
376RH	Variation of model 376, with right hand trip lever.



Fixture performance and specifications meet or exceed ASME A112.19.2-2013/CSA B45.1-13 standards, and other state and local codes.

